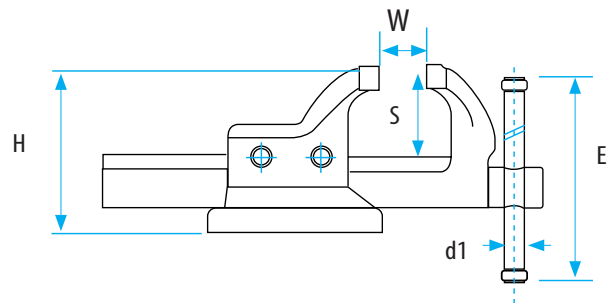
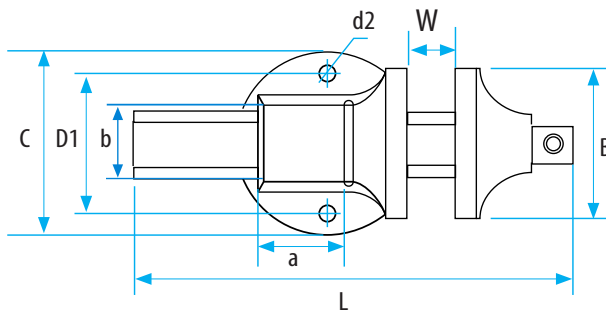




## KADETT Parallel Vice

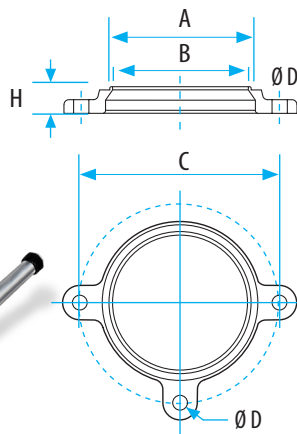
All-steel, drop forged (CF45 Steel). Jaws and anvil induction hardened (HRC 52-58). Adjustable jaw alignment system guarantees precision clamping. Sliding guides are protected against contamination. All Vises are equipped with fixtures for removable snap-on pipe jaws for various applications.

SIZE		KAD-100	KAD-115	KAD-125	KAD-135	KAD-150	KAD-175	KAD-200
Size		4"	4.5"	5"	5.5"	6"	7"	8"
Jaw Width	B (inch)	4"	4.5"	5"	5.5"	6"	7"	8"
Jaw Opening (max.)	W (inch)	4.5"	5.5"	6"	6.5"	7"	8"	8"
Total Length	L (inch)	12"	14"	15"	16.5"	18.5"	20"	20"
Anvil Size	axb (inch)	1 x 2"	1.5 x 2"	1.5 x 2.5"	2 x 2.5"	2.5 x 3"	2.5 x 3.5"	2.5 x 3.5"
Base Diameter	C (inch)	4.5"	5"	5.5"	6"	7"	8"	8"
Hole Distance	Ø D1 (inch)	3.5"	4"	4"	4.5"	5"	6.5"	6.5"
Hole Diameter	Ø d2 (inch)	.45"	.5"	.5"	.6"	.64"	.68"	.68"
Screwhandle	Ø d1 (inch)	.5"	.5"	.5"	.5"	.5"	.7"	.7"
Jaw Depth	S (inch)	2.5"	2.5"	2.5"	3"	3.5"	4"	4"
Vise Height	H (inch)	4.5"	5"	5.5"	6.5"	7"	7.5"	7.5"
Handle Length	E (inch)	7.4"	9"	10.6"	10.6"	12.2"	13.1"	13.1"
Weight	lbs.	11	17	20.5	30.8	40.8	55	57
Clamps pipes from/to *1			1/4 - 3"	1/4 - 3"	1/4 - 4"	1/4 - 5"	1/4 - 6"	1/4 - 6"

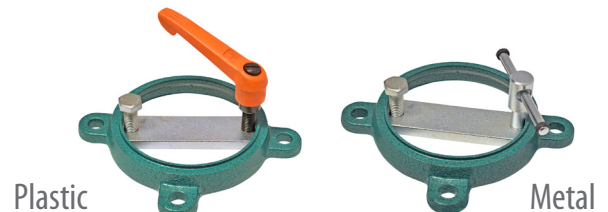


## Swivel Base

### Bench Vice With Swivel Base



Plastic Part	Size (inch)	A	B	C	H	D Ø	Ibs.	Metal Part
KADP-100	4"	4"	4"	6"	0.6"	.45"	1.7	KADS-100
KADP-115	4.5"	4.5"	4.5"	6"	0.7"	.5"	2.2	KADS-115
KADP-125	5"	5"	5"	7"	0.8"	.5"	2.8	KADS-125
KADP-135	5.5"	5.5"	5.5"	7.5"	0.9"	.6"	3	KADS-135
KADP-150	6"	6"	6"	8.5"	0.9"	.6"	4.4	KADS-150
KADP-175	7"	7"	7"	9.5"	1.1"	.65"	5.7	KADS-175
KADP-200	8"	7"	7"	9.5"	1.1"	.65"	5.7	KADS-200



Swivel Base: Drop forged, infinitely variable rotation between 0° and 360°. Position lockable by special bolt- screw arm. Suitable also for other brands.