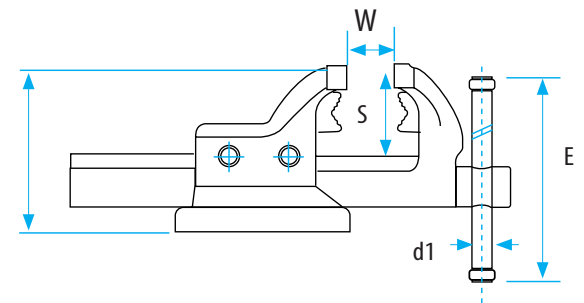
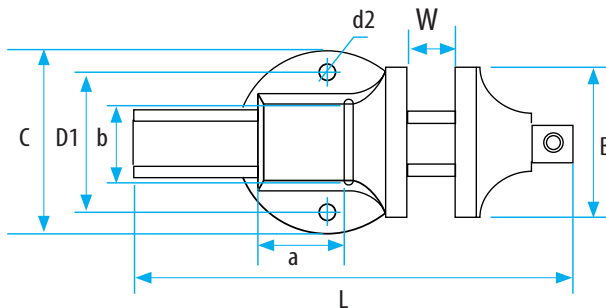




KADETT Plumber's Vice

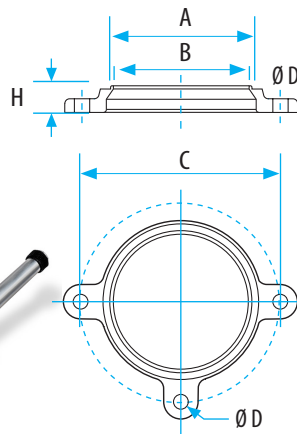
Parallel Vice with 2 welded jaws for clamping pipes. Guarantees precision parallel clamping. Available with jaw widths from 4" to 8". (Other technical details like Parallel-Vise).

| SIZE | | KADPL-100 | KADPL-115 | KADPL-125 | KADPL-135 | KADPL-150 | KADPL-175 | KADPL-200 |
|--------------------|-------------|-----------|-----------|------------|-----------|-----------|------------|------------|
| Size | | 4" | 4.5" | 5" | 5.5" | 6" | 7" | 8" |
| Jaw Width | B (inch) | 4" | 4.5" | 5" | 5.5" | 6" | 7" | 8" |
| Jaw Opening (max.) | W (inch) | 4.5" | 5.5" | 6" | 6.5" | 7" | 8" | 8" |
| Total Length | L (inch) | 12" | 14" | 15" | 16.5" | 18.5" | 20" | 20" |
| Anvil Size | axb (inch) | 1 x 2" | 1.5 x 2" | 1.5 x 2.5" | 2 x 2.5" | 2.5 x 3" | 2.5 x 3.5" | 2.5 x 3.5" |
| Base Diameter | C (inch) | 4.5" | 5" | 5.5" | 6" | 7" | 8" | 8" |
| Hole Distance | Ø D1 (inch) | 3.5" | 4" | 4" | 4.5" | 5" | 6.5" | 6.5" |
| Hole Diameter | Ø d2 (inch) | .45" | .5" | .5" | .6" | .64" | .68" | .68" |
| Screwhandle | Ø d1 (inch) | .5" | .5" | .5" | .5" | .5" | .7" | .7" |
| Jaw Depth | S (inch) | 2.5" | 2.5" | 2.5" | 3" | 3.5" | 4" | 4" |
| Vise Height | H (inch) | 4.5" | 5" | 5.5" | 6.5" | 7" | 7.5" | 7.5" |
| Handle Length | E (inch) | 7.4" | 9" | 10.6" | 10.6" | 12.2" | 13.1" | 13.1" |
| Weight | lbs. | 11 | 17 | 20.5 | 30.8 | 40.8 | 55 | 57 |
| Clamps from *2 | | 3/8" | 3/8" | 3/8" | 3/8" | 3/8" | 3/8" | 3/8" |
| Clamps to *2 | | 1 1/4" | 1 1/2" | 1 1/2" | 1 1/2" | 2 1/2" | 3" | 3" |

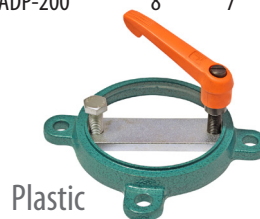


Swivel Base

Bench Vice With Swivel Base



| Plastic Part | Size (inch) | A | B | C | H | D Ø | lbs. | Metal Part |
|--------------|-------------|------|------|------|------|------|------|------------|
| KADP-100 | 4" | 4" | 4" | 6" | 0.6" | .45" | 1.7 | KADS-100 |
| KADP-115 | 4.5" | 4.5" | 4.5" | 6" | 0.7" | .5" | 2.2 | KADS-115 |
| KADP-125 | 5" | 5" | 5" | 7" | 0.8" | .5" | 2.8 | KADS-125 |
| KADP-135 | 5.5" | 5.5" | 5.5" | 7.5" | 0.9" | .6" | 3 | KADS-135 |
| KADP-150 | 6" | 6" | 6" | 8.5" | 0.9" | .6" | 4.4 | KADS-150 |
| KADP-175 | 7" | 7" | 7" | 9.5" | 1.1" | .65" | 5.7 | KADS-175 |
| KADP-200 | 8" | 7" | 7" | 9.5" | 1.1" | .65" | 5.7 | KADS-200 |



Plastic

Metal

Swivel Base: Drop forged, infinitely variable rotation between 0° and 360°. Position lockable by special bolt- screw arm. Suitable also for other brands.