

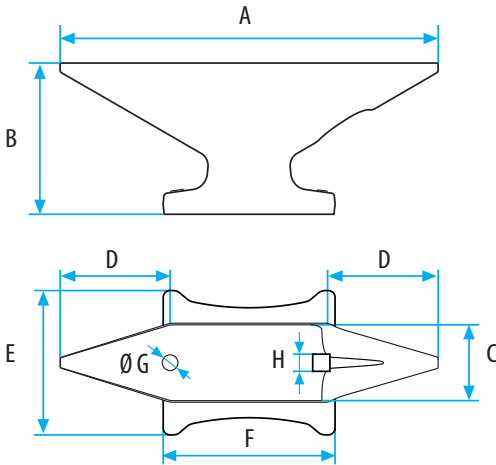
DROP FORGED

anvil

UNBREAKABLE

Drop-Forged Anvils

All steel drop-forged anvils with surface-hardened face.



Part	A	B	C	D	ExF	G Ø	H □	Ibs.
DFA-20	15"	6"	3"	4"	5.5 x 6"	.78"	.8"	44
DFA-35	18.5"	7.5"	3.5"	5"	6.5 x 7.5"	.78"	.8"	77
DFA-50	21.5"	8.5"	4"	6"	8 x 9.5"	.9"	.98"	110
DFA-75	24.5"	10"	4.5"	7"	9 x 10.5"	.9"	.98"	165



Material: High quality forged steel
Surface hardened: 54-62 HRC

