

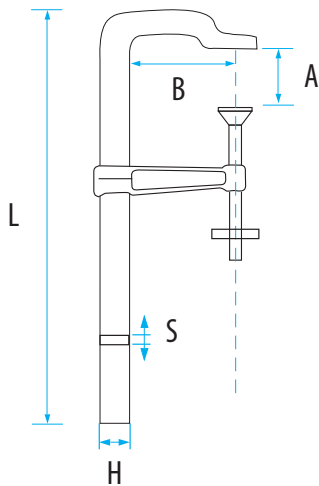
DROP FORGED


KANCA

HEAVY DUTY CLAMP

HEAVY DUTY CLAMP

Swivel Base: Drop forged, infinitely variable rotation between 0° and 360°. Position lockable by special bolt- screw arm. Suitable also for other brands.



Part	A (inch)	B (inch)	HxS (inch)	L (inch)	lbs.	
HDC-200	8"	5"		8"	5.5	6
HDC-250	10"	5"		10"	6.17	6
HDC-300	12"	5"		12"	6.6	6
HDC-400	16"	5"		16"	7.5	6
HDC-500	20"	5"		20"	8.15	6
HDC-600	24"	5"		24"	9.04	6
HDC-800	32"	5"		32"	10.36	6
HDC-1000	40"	5"		40"	11.46	6
HDC-1200	48"	5"		48"	12.57	6