

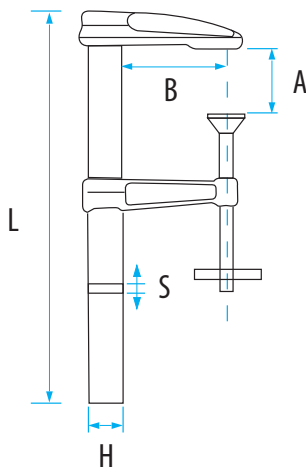
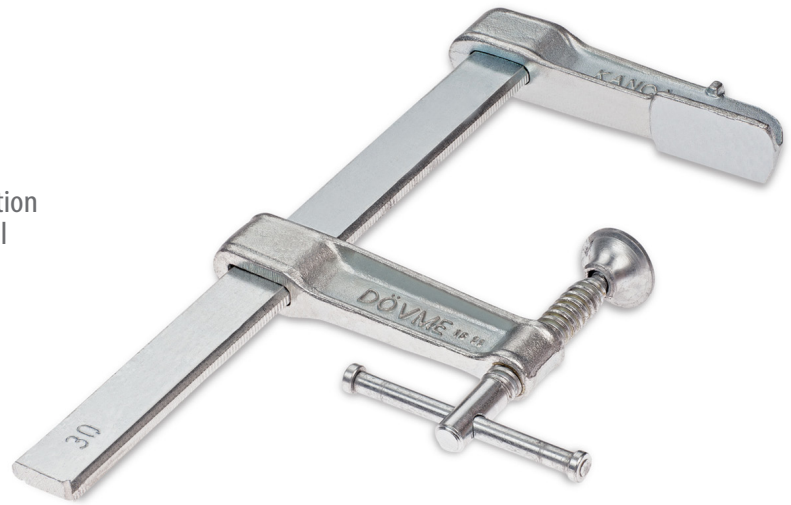
DROP FORGED


KANCA

CLAMP

DROP FORGED CLAMP

Swivel Base: Drop forged, infinitely variable rotation between 0° and 360°. Position lockable by special bolt- screw arm. Suitable also for other brands.



Part	A (inch)	B (inch)	HxS (inch)	L (inch)	lbs.	
DFC - 200	8"	4.5"	1 x .4"	8"	5.62	6
DFC - 250	10"	4.5"	1 x .4"	10"	5.84	6
DFC - 300	12"	4.5"	1 x .4"	12"	6.17	6
DFC - 400	16"	4.5"	1 x .4"	16"	6.83	6
DFC - 500	20"	4.5"	1 x .4"	20"	7.27	6
DFC - 600	24"	4.5"	1 x .4"	24"	7.93	6
DFC - 700	28"	4.5"	1 x .4"	28"	8.6	6
DFC - 800	32"	4.5"	1 x .4"	32"	9.25	6
DFC - 900	36"	4.5"	1 x .4"	36"	9.81	6
DFC - 1000	40"	4.5"	1 x .4"	40"	10.58	6
DFC - 1100	44"	4.5"	1 x .4"	44"	11.02	6
DFC - 1200	48"	4.5"	1 x .4"	48"	11.68	6
DFC - 1300	52"	4.5"	1 x .4"	52"	12.34	6
DFC - 1400	56"	4.5"	1 x .4"	56"	13.12	6
DFC - 1500	60"	4.5"	1 x .4"	60"	13.67	6
DFC - 2000	80"	4.5"	1 x .4"	80"	16.75	6

KANCA
DESIGN • FORGE • SAFETY