

UNZERBRECHLICH

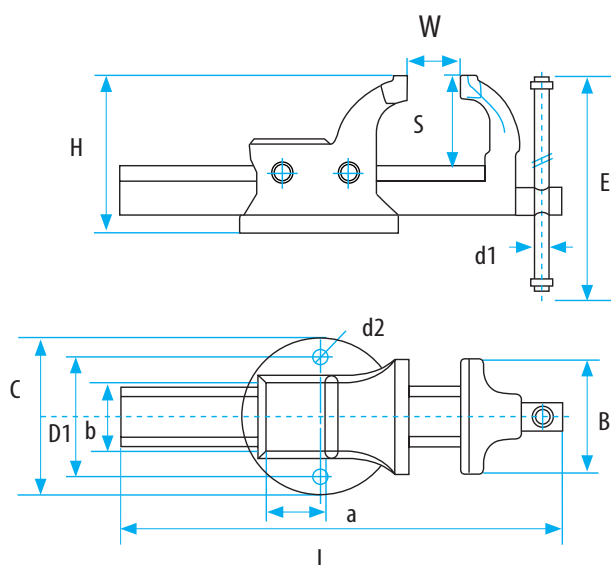
**PRIMO**

UNBREAKABLE

## PRIMO Parallel Vice

All-steel, drop forged (CF45 Steel). With extra large anvil and higher jaws for an increased clamping volume. Jaws and anvil induction hardened (HRC 52-58).

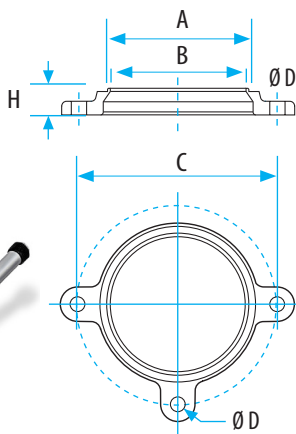
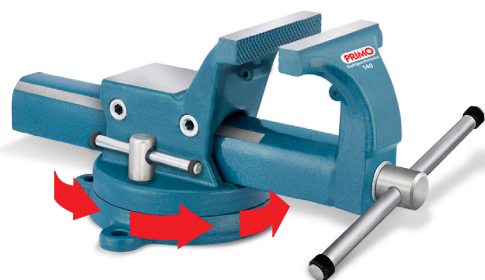
Adjustable jaw alignment system guarantees precision clamping. All Vises are equipped with fixtures for removable snap-on pipe jaws for various applications.



| SIZE                        |             | PRM-100  | PRM-120    | PRM-140  | PRM-160  | PRM-180  |
|-----------------------------|-------------|----------|------------|----------|----------|----------|
| Jaw With                    | B (inch)    | 4"       | 4.5"       | 5.5"     | 6"       | 7"       |
| Jaw Opening                 | W (inch)    | 4.5"     | 6"         | 7.5"     | 8.5"     | 8.5"     |
| Total Length                | L (inch)    | 13"      | 15"        | 18"      | 22"      | 22"      |
| Anvil Size                  | axb (inch)  | 2.5 x 2" | 2.8 x 2.7" | 3.5 x 3" | 4.5 x 4" | 4.5 x 4" |
| Base Diameter               | C (inch)    | 4.5"     | 6"         | 7"       | 7"       | 7"       |
| Distance                    | Ø D1 (inch) | 3.5"     | 4"         | 5.5"     | 5.5"     | 5.5"     |
| Hole Diameter               | Ø d2 (inch) | .45"     | .5"        | .6"      | .6"      | .6"      |
| Screwhandle                 | Ø d1 (inch) | .5"      | .5"        | .6"      | .7"      | .7"      |
| Jaw Depth                   | S (inch)    | 2.5"     | 3"         | 3.5"     | 4.5"     | 4.5"     |
| Vise Height                 | H (inch)    | 4.5"     | 6"         | 7"       | 8"       | 8"       |
| Handle Length               | E (inch)    | 7.4"     | 9"         | 12.2"    | 12.4"    | 12.4"    |
| Weight                      | lbs.        | 12       | 21         | 37       | 55       | 55       |
| 1 / Clamps pipes from/to *1 |             |          | 1/4 - 4"   | 1/4 - 5" | 1/4 - 6" | 1/4 - 6" |

## Swivel Base

### Bench Vice With Swivel Base



| Plastic Part | Size (inch) | A    | B  | C    | H    | D Ø  | lbs. | Metal Part |
|--------------|-------------|------|----|------|------|------|------|------------|
| PRMSP-100    | 4"          | 4"   | 4" | 6"   | 0.6" | .45" | 1.7  | PRMSR-100  |
| PRMSP-120    | 4.5"        | 5"   | 5" | 7"   | 0.7" | .5"  | 2.8  | PRMSR-120  |
| PRMSP-140    | 5.5"        | 6.5" | 6" | 8.5" | 0.8" | .5"  | 4    | PRMSR-140  |
| PRMSP-160    | 6"          | 6.5" | 6" | 8.5" | 1.1" | .5"  | 4    | PRMSR-160  |
| PRMSP-180    | 7"          | 6.5" | 6" | 8.5" | 1.1" | .5"  | 4    | PRMSR-180  |



Swivel Base: Drop forged, infinitely variable rotation between 0° and 360°. Position lockable by special bolt-screw arm. Suitable also for other brands.

**KANCA**  
DESIGN • FORGE • SAFETY