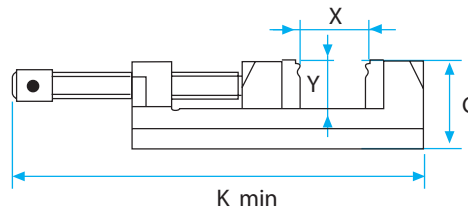
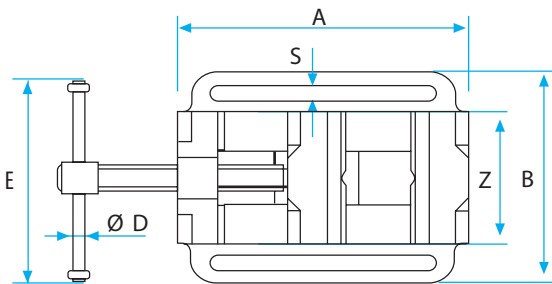
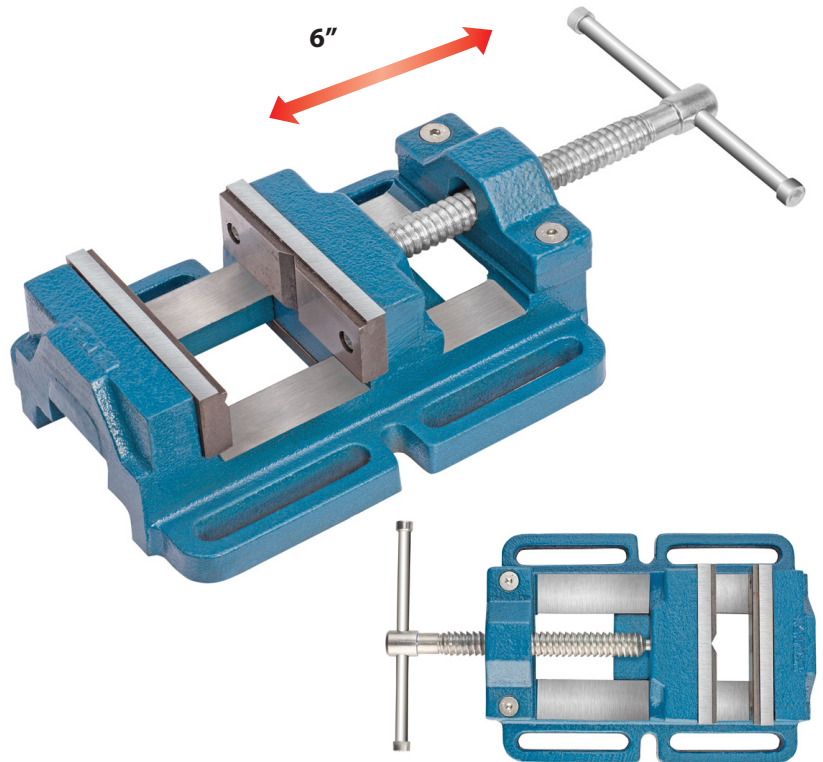


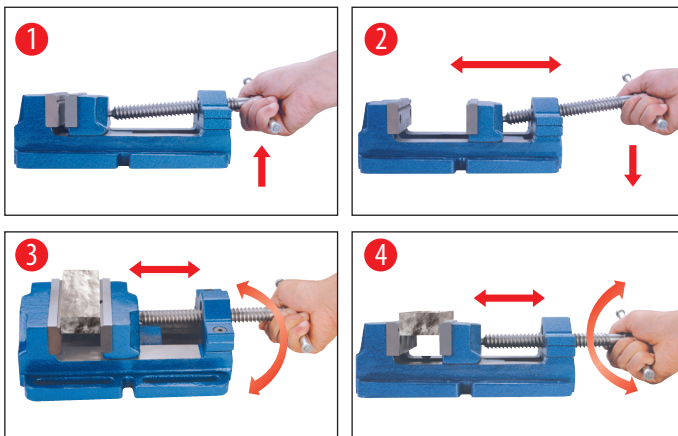
DROP FORGED  
**QUICK DRILL**  
 QUICK DRILL VISES

## QUICK DRILL VISES

Saving time by easily and quickly changing different worktools.



Part	Size (inch)	AxBxC (inch)	X (max.) x Y x Z (inch)	K (min.) (inch)	S (inch)	Ø D (inch)	E (inch)	lbs.
QDRL-125	5"	10 x 7 x 3"	4.5 x 1.5 x 4.5"	12"	.5"	.35"	7.2"	25.35



### How to use Quick Drill Vises?

- 1 Slightly lift the screw off the nut
- 2 Pull and open the jaw as required
- 3 Locate the workpiece between the jaws
- 4 Put and engage the screw on to the nut and clamp the Vise