

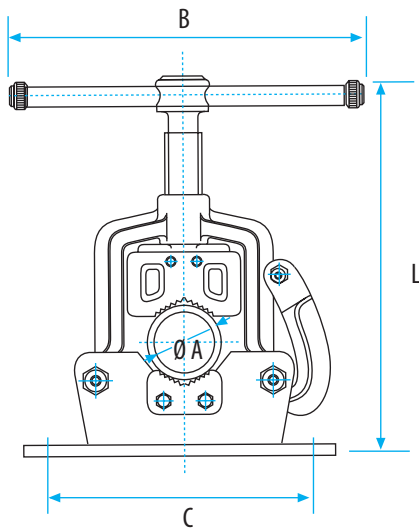
DROP FORGED

KANCA

FOLD-OUT PIPE VISE

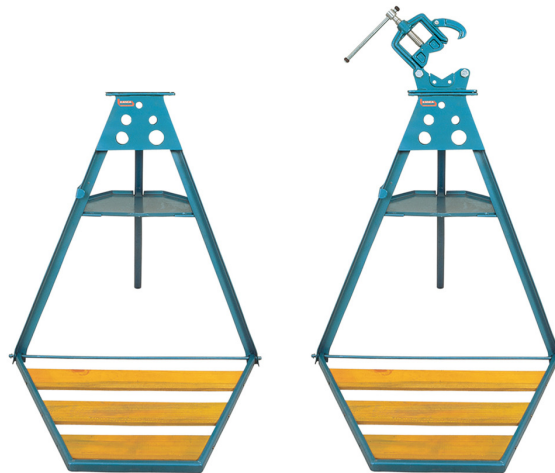
Fold-Out Pipe Vise

Made from high quality and drop-forged steel. Hardened frame and jaws. Adjustable through selflocking screws.



FOLD-OUT PIPE VISE

Part	Size (inch)	A Ø	B	L	C	lbs.
PV-2	2"	2"		11"		11
PV-3	3"	3"		13"		14
PV-4	4"	4"		18"		35

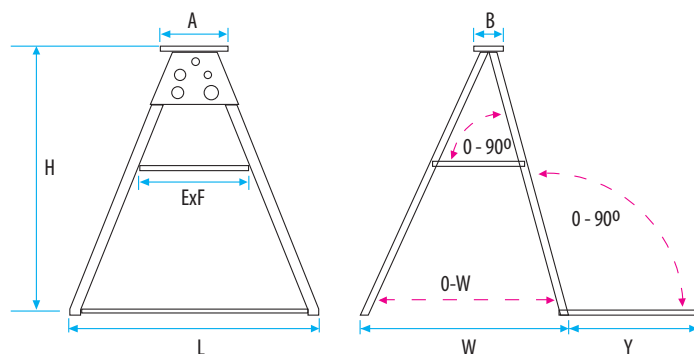


PORTABLE WORKSTAND

Part	Size (inch)	H	L	W	ExF	lbs.
PVS-2	2"	37"	37"	37"	37"	37
PVS-3	3"	37"	37"	37"	37"	37

Portable Workstand

Working support for pipe Vises. Suitable for 2" and 3" fold-out pipe Vises. An indispensable tool for works on building sites. Equipped with storage shelf for tools and hinged floor board for stability



KANCA
DESIGN • FORGE • SAFETY