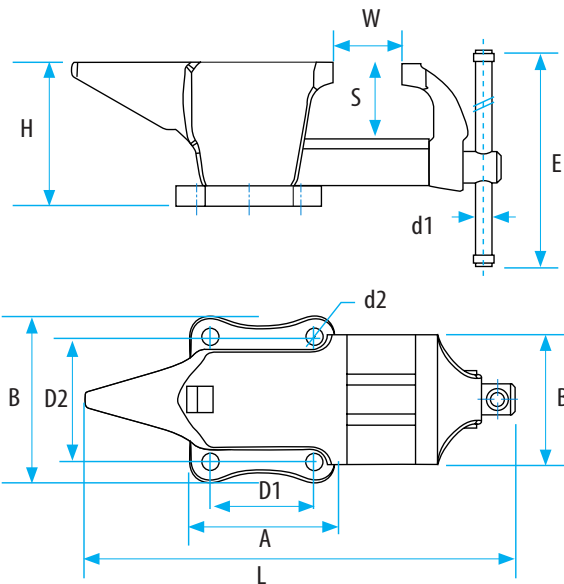




ANVILLO Anvil & Vice



SIZE	ANV-125
Size	5"
Jaw With	B (inch) 5"
Jaw Opening	W (inch) 3.5"
Total Lenght	L (inch) 17.5"
Table Size	AxB (inch) 5.5*6"
Hole Distance	Ø D1* D2 (inch) 3.9* 4.3"
Hole Diameter	Ø d2 (inch) .5"
Screwhandle	Ø d1 (inch) .5"
Jaw Depth	S (inch) 2.5"
Vise Heigth	H (inch) 5"
Handle Lenght	E (inch) 10.6"
Weight	lbs. 37

